



Open Racks
Swing Frame Rack



Design Features

These swingframe racks offer all the conveniences of a wall mounted rack, plus the added advantage of a swing out frame for easy access to the rear of your equipment.

Features

- Left or right hand hinge.
- #12-24 panel mounting hardware (Use #9260 screws - order separately)
- Velcro cable straps included
- 16" on center wall mounting (wall mounting hardware not included).
- 75# equipment load capacity
- Two Styles: Style A - Knockdown Assembly, Style B - Welded Assembly

Finish: Black Texture (BT)

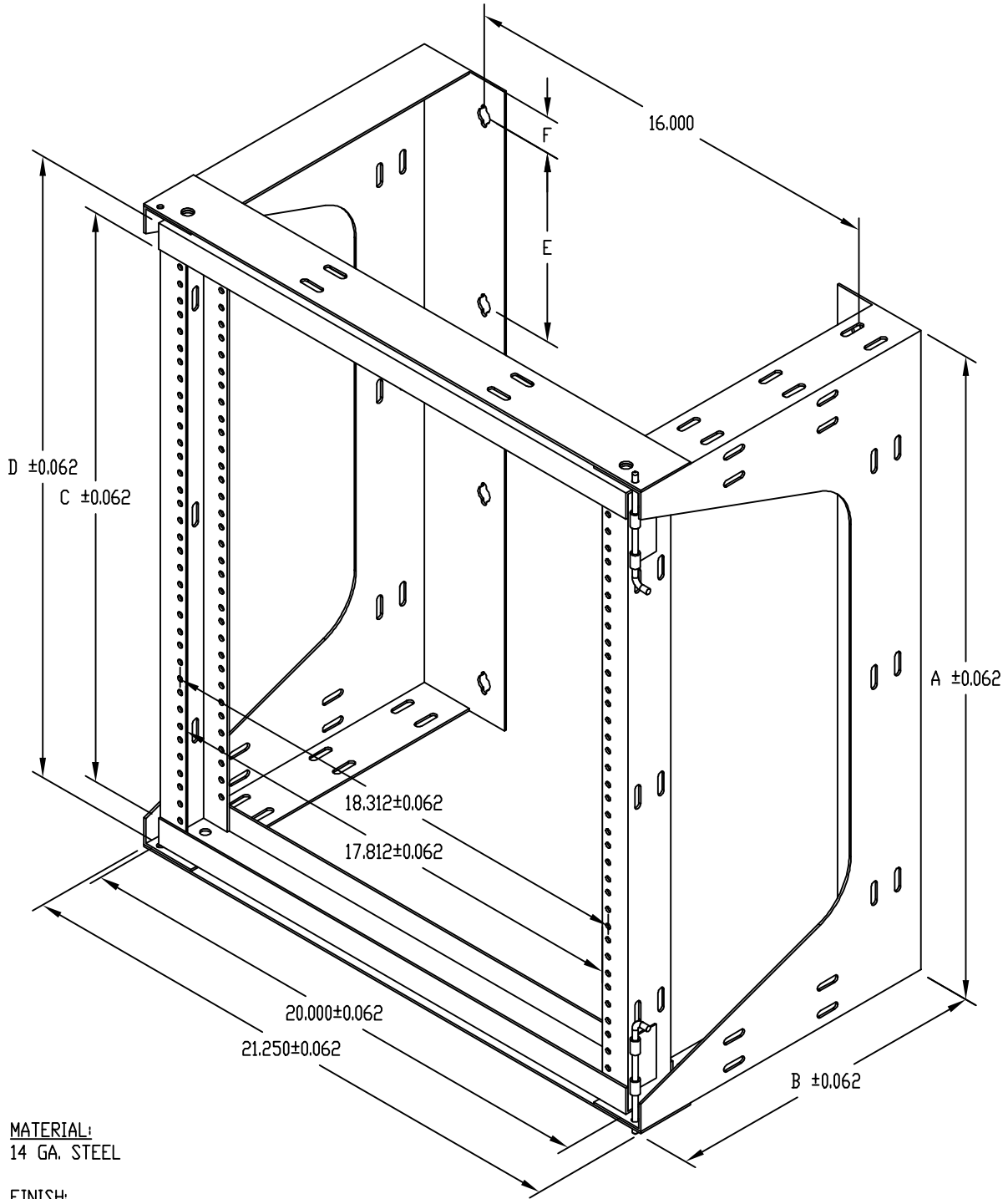
Swing Frame Rack					
Catalog Number	Drawings	Style	Panel Space	Overall Height & Width	Depth
SF-2184		A	21.00" x 19.00"	24.00" x 21.25"	18.00"
SF-2194		A	35.00" x 19.00"	38.00" x 21.25"	18.00"
SF-2283		B	21.00" x 19.00"	24.00"x 21.25"	12.00"
SF-2284		B	21.00" x 19.00"	24 00"x 21.25"	18.00"
SF-2293		B	35.00" x 19.00"	38 00"x 21.25"	12.00"
SF-2294		B	35.00" x 19.00"	38.00"x 21.25"	18.00"

PART
NAME

SWING FRAME RACK

PART
No.

SF-2283, SF-2284, SF-2293 & SF-2294



MATERIAL:
14 GA. STEEL

FINISH:
SMOOTH BLACK

NOTE:
SWING ARM RAILS ARE TAPPED #12-24
ON UNIVERSAL E.I.A. SPACING.
UNIT INCLUDES (6) 8' LONG VELCRO
STRAPS IN HARDWARE KIT.

LOAD RATING: 75 LBS. MAX.

PART NUMBER	A	B	C	D	E	F
SF-2283	23.814	12.000	21.062	23.004	7.000	1.407
SF-2284	23.814	18.000	21.062	23.004	7.000	1.407
SF-2293	37.814	12.000	35.062	37.004	11.000	2.407
SF-2294	37.814	18.000	35.062	37.004	11.000	2.407